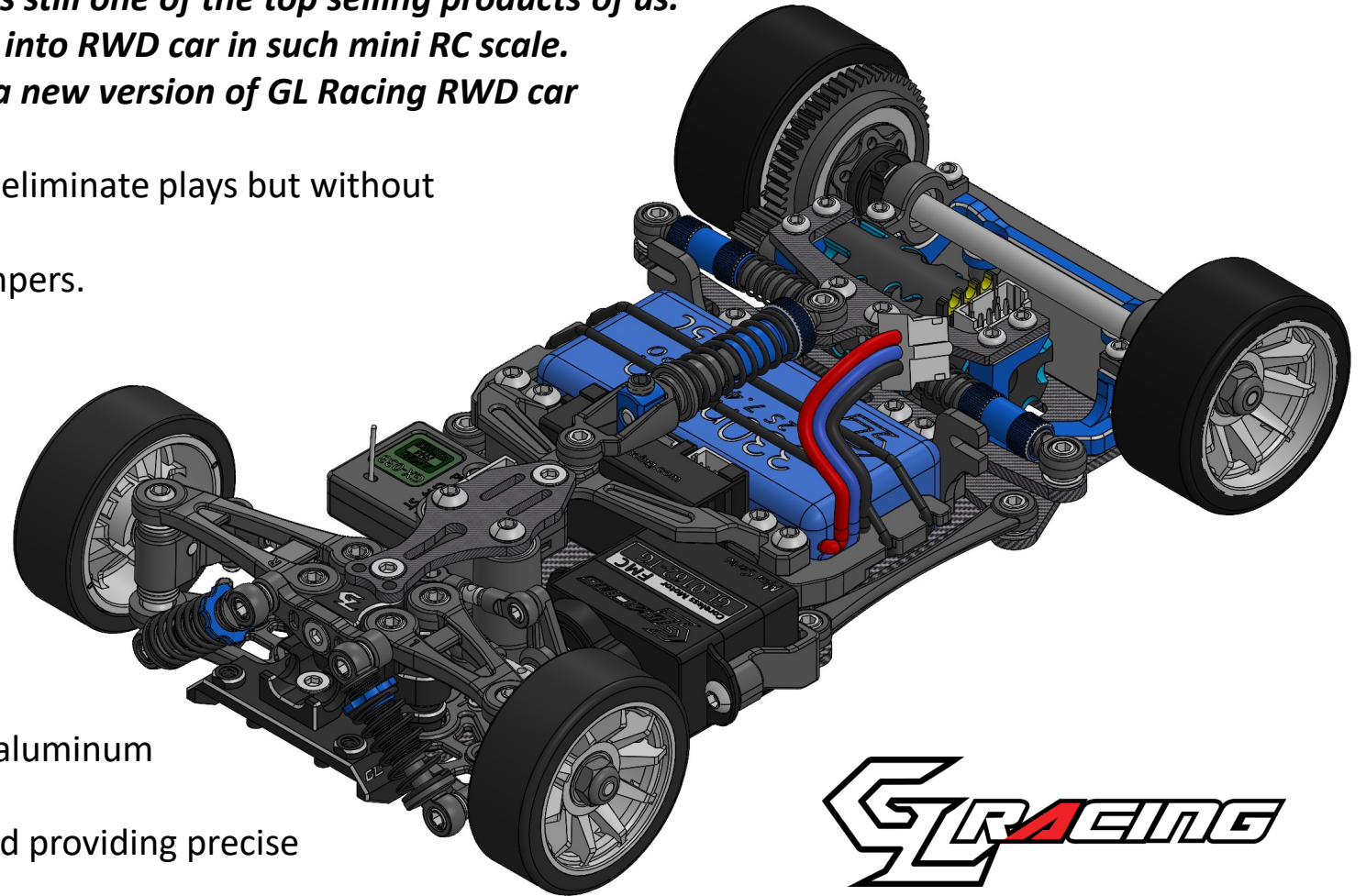
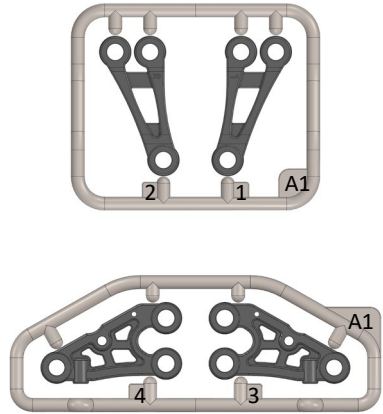


GLR is the first RWD of GL Racing and till now it is still one of the top selling products of us. GT incorporated a lot of innovative technologies into RWD car in such mini RC scale. GTR consolidated both of their strengths into a new version of GL Racing RWD car and with additional new features.

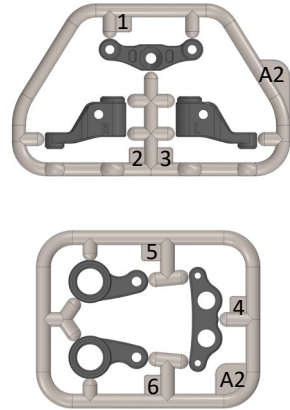
- 1, Ball joints front suspension arms which help to eliminate plays but without scarify their smoothness.
- 2, Adjustable dust proof central and rear side dampers.
- 3, The lowest CG car of GL Racing as of today.
- 4, Super wide offset creates ultra stability of the car even 0 degree offset rims are used.
- 5, Market well received T-shape central and rear side dampers layout.
- 6, Ride height adjustable motor mount (Option parts for ride height adjustments to be sold separately).
- 7, Front anti-roll bar with bearings (Option).
- 8, Dual steering arms system can be upgraded to aluminum and have saver capability (Option).
- 9, New version Titanium servo is more durable and providing precise handling experience (to be sold separately).



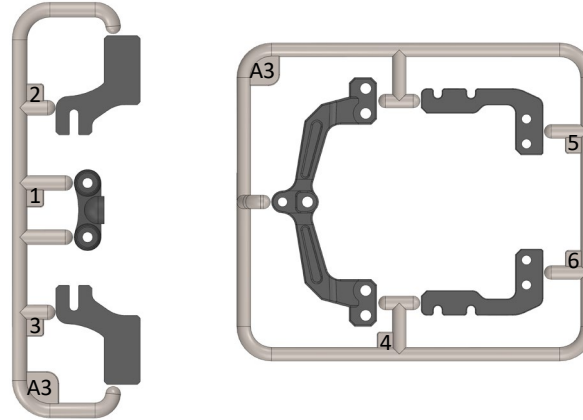
A1-Bag



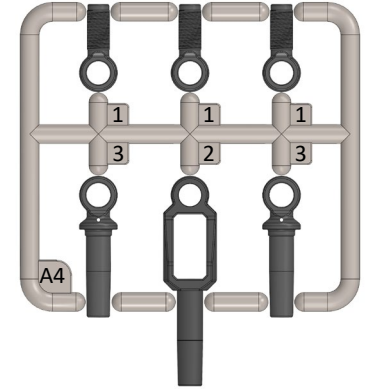
A2-Bag



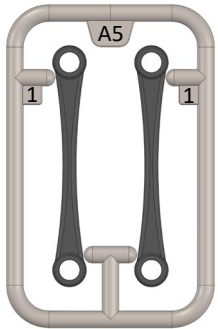
A3-Bag



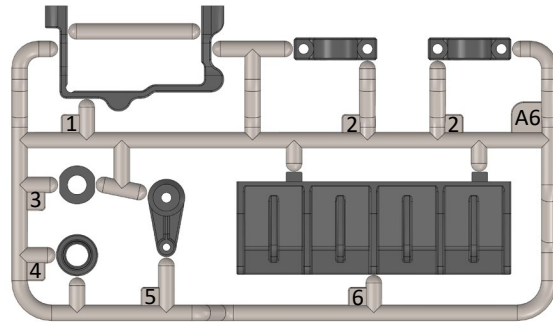
A4-Bag



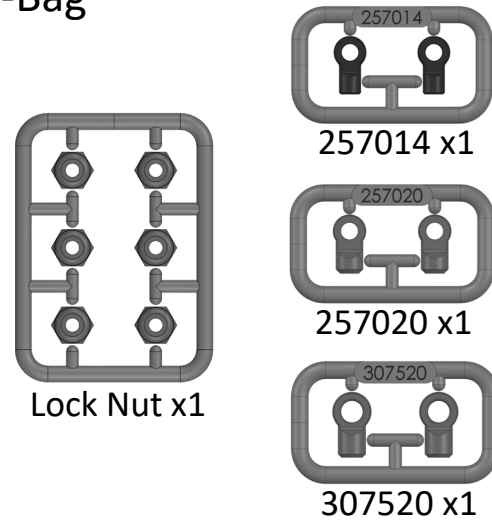
A5-Bag



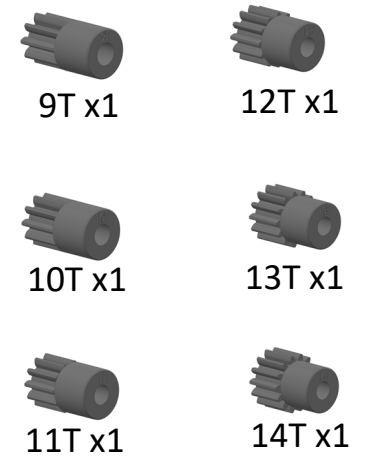
A6-Bag



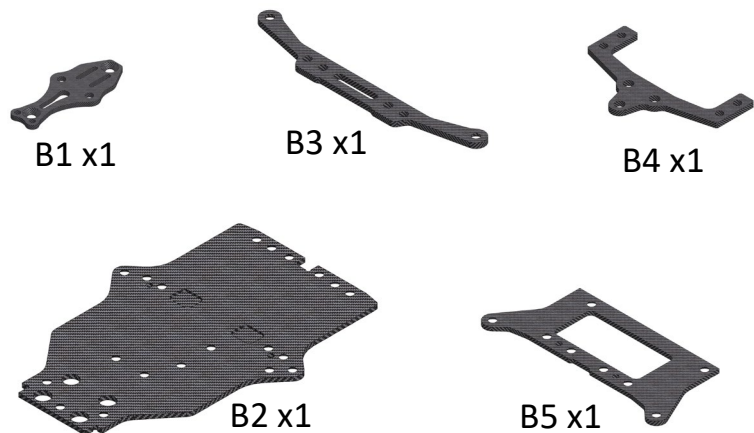
A7-Bag



A8-Bag



B1-Bag



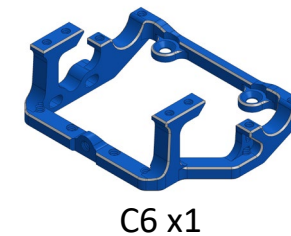
C1-Bag



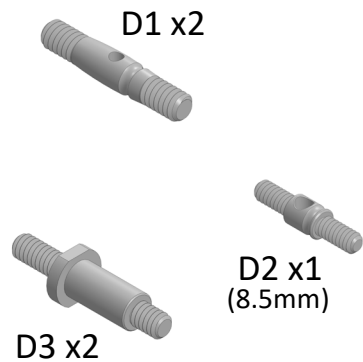
C2-Bag



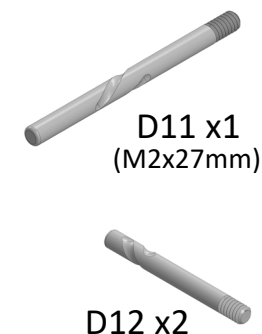
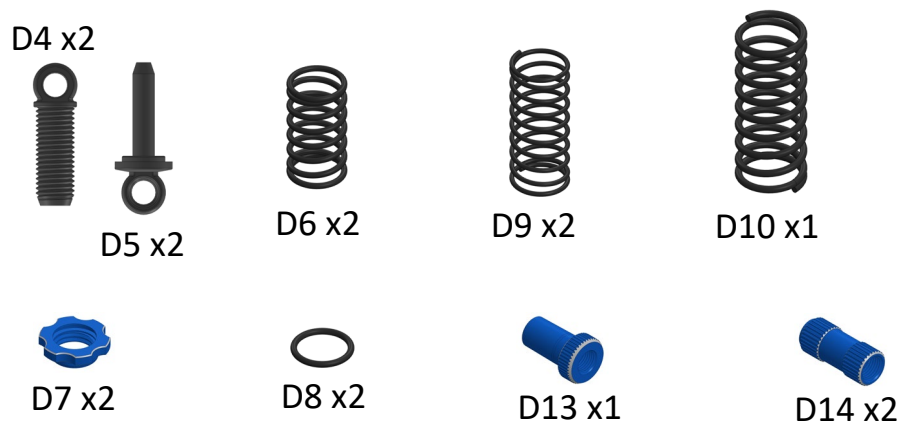
C3-Bag



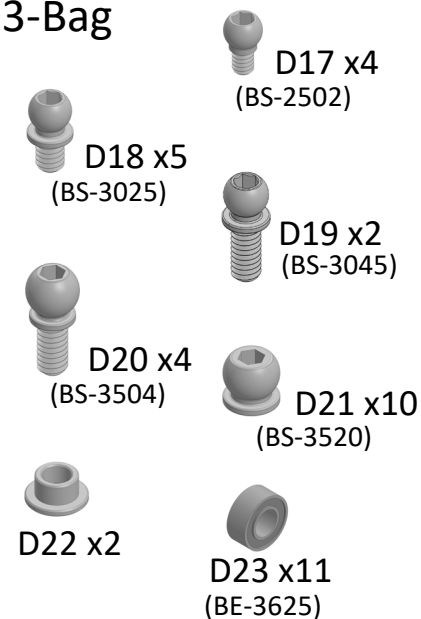
D1-Bag



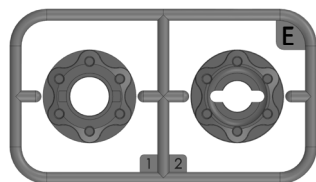
D2-Bag



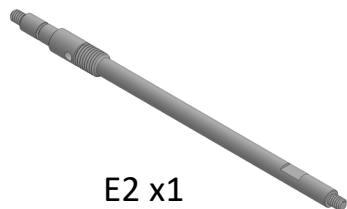
D3-Bag



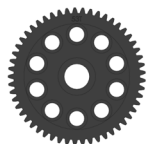
E-1 Bag



E1 x1



E2 x1



E3 x1
(Spur Gear 53T)



E4 x2



E5 x10
(M2 Ball)



E6 x1



E7 x1
(BE-3625)



E8 x1
(Rubber Ring)



E9 x1



E10 x1

F-1 Bag



x14
M2x4 KB



x6
M2x4 PB



x19
M2x4 KM



x5
M2x4 PM



x1
M2x3 PM



x2
M2x5 PM



x2
M2x6 KB



x4
M2x6 PB



x1
M2x5 KM



x4
M2x3 KM



x2
M1.2x3 PB



x9
M1.6x4 TM



x2
M3x3 Grub



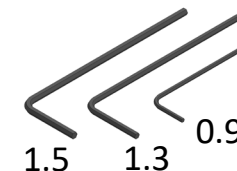
SM3 x5
(2x4x0.1)



SM1 x5
(3x4.5x0.1)



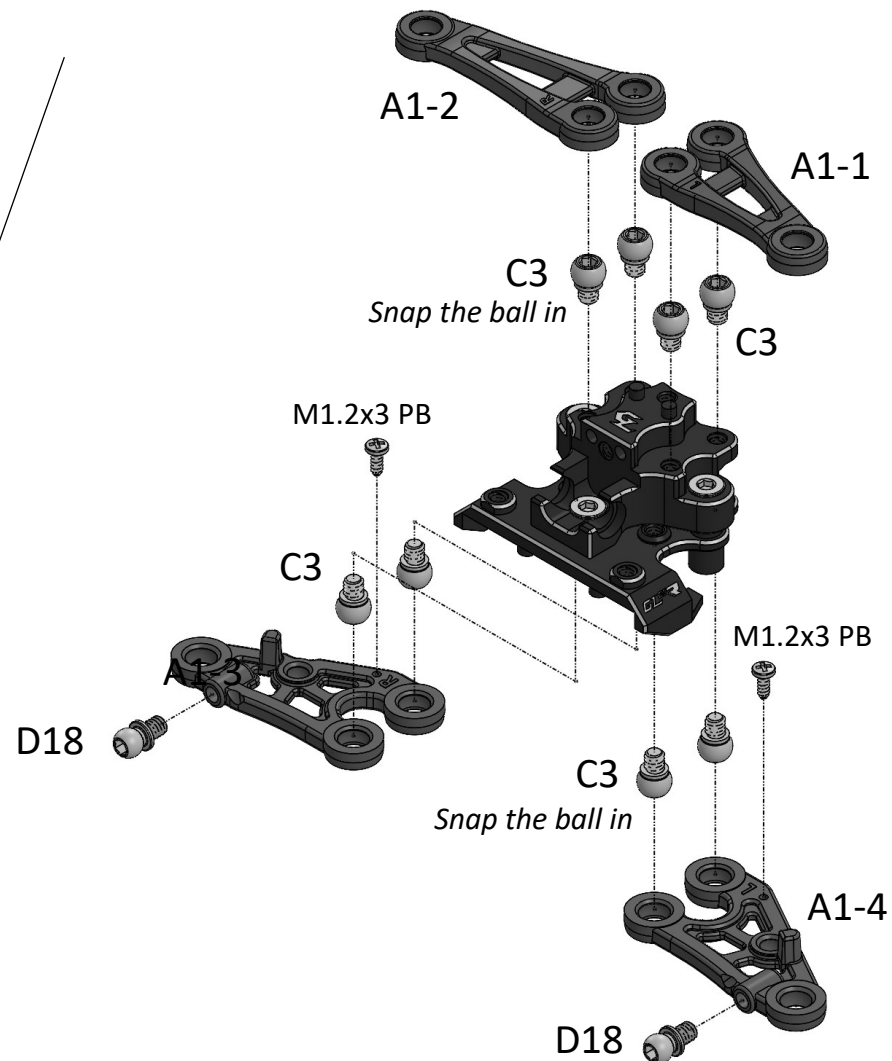
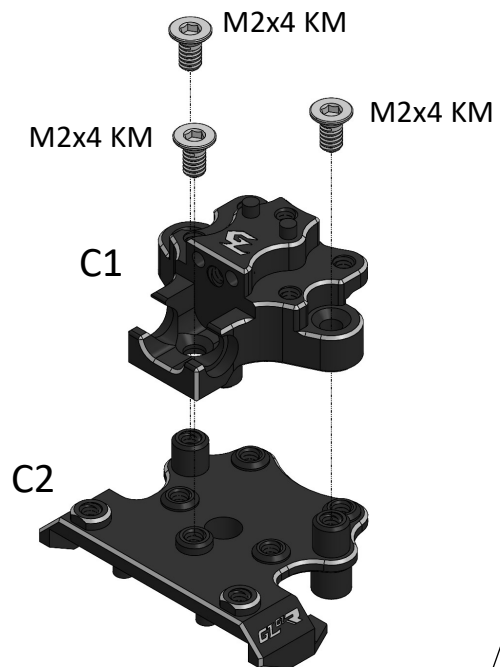
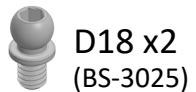
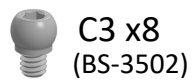
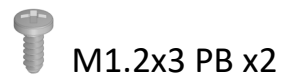
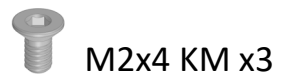
SM2 x16
(2.3x4.4x0.5)

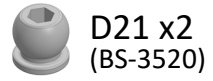


1.5 1.3 0.9



F1 x1





D21 x2
(BS-3520)



M2x3 KM x2



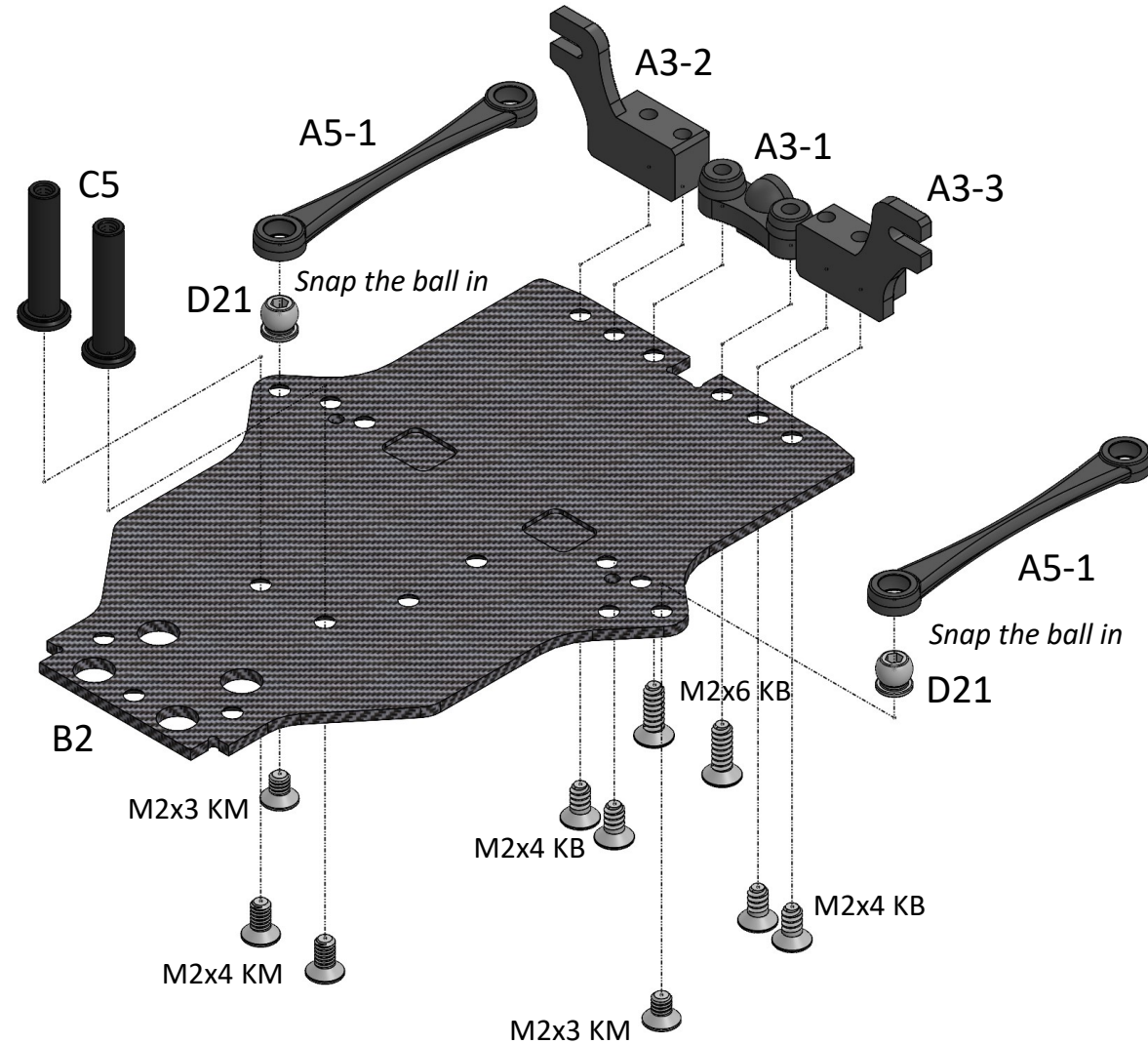
M2x4 KM x2




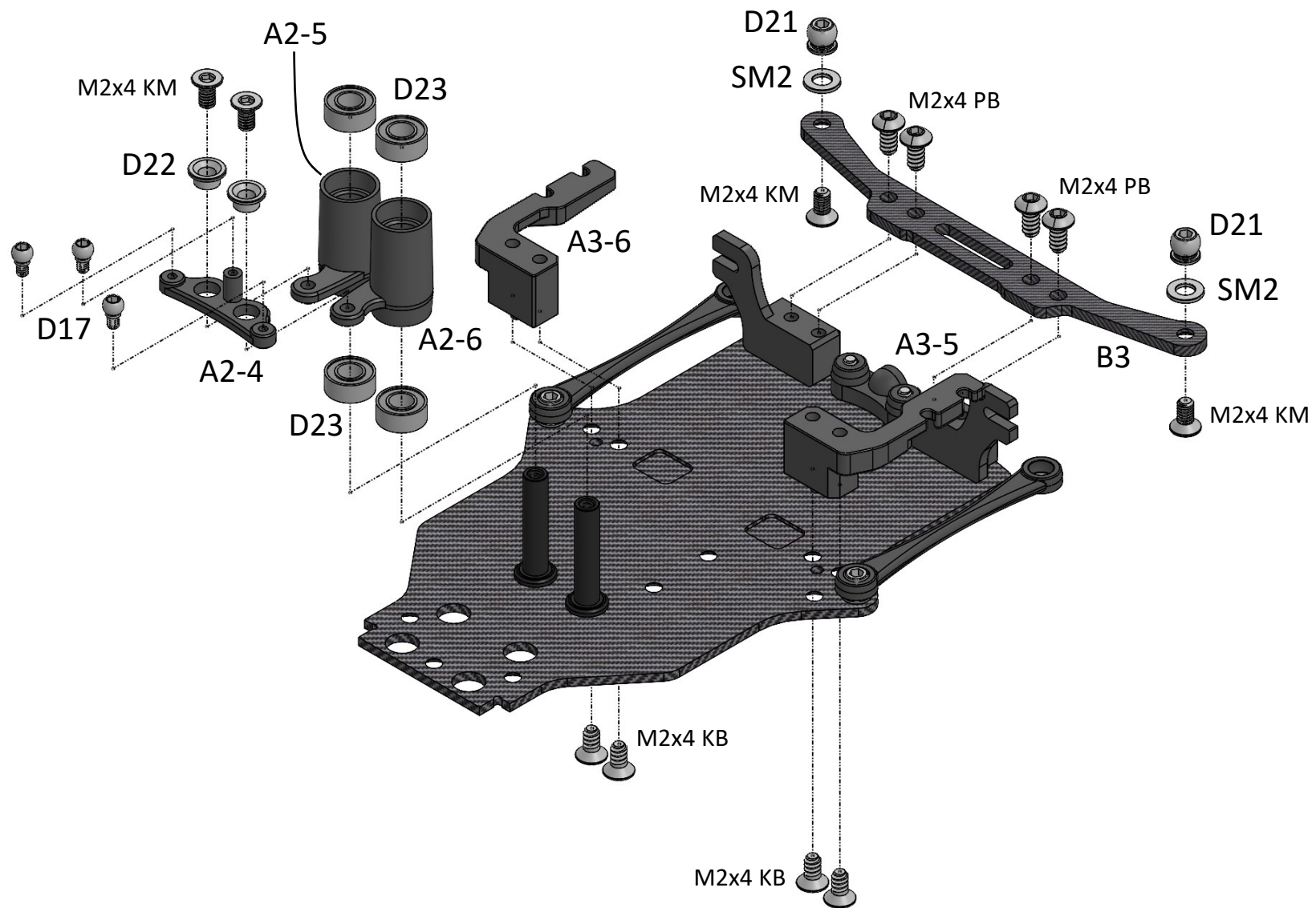
M2x4 KB x4



M2x6 KB x2



-  D17 x3
(BS-2502)
-  D21 x2
(BS-3520)
-  D22 x2
-  D23 x4
(BE-3625)
-  SM2 x2
(2.3x4.4x0.5)
-  M2x4 KM x4
-  M2x4 PB x4
-  M2x4 KB x4





D17 x1
(BS-2502)



8.5mm D2 X1



M2x4 PB x2



M1.6x4 TM x1



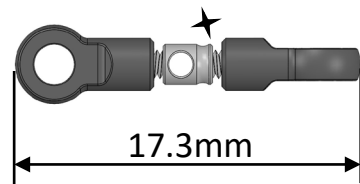
M2x4 KB x3



M2x4 KM x2



M2x6 KM x1



17.3mm

(Counterclockwise)

257014

D2



257014

(Clockwise)

Servo (GL-0162-TG)
is **NOT INCLUDED**

Available at GL
Online Shop

A6-1

M2x4 PB

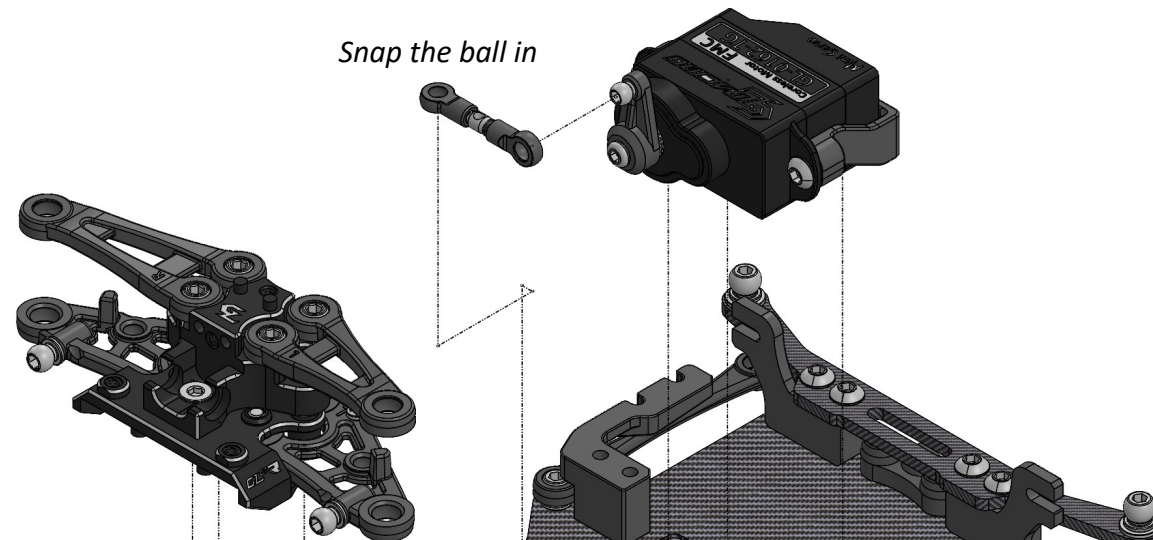
D17

M1.6x4 TM

A6-5

M2x4 PB

Snap the ball in



M2x4 KM

M2x6 KM

M2x4 KM

M2x4 KB

SM1 x2
(3x4.5x0.1)

SM2 x10
(2.3x4.4x0.5)

D20 x4
(BS-3504)

D21 x1
(BS-3520)

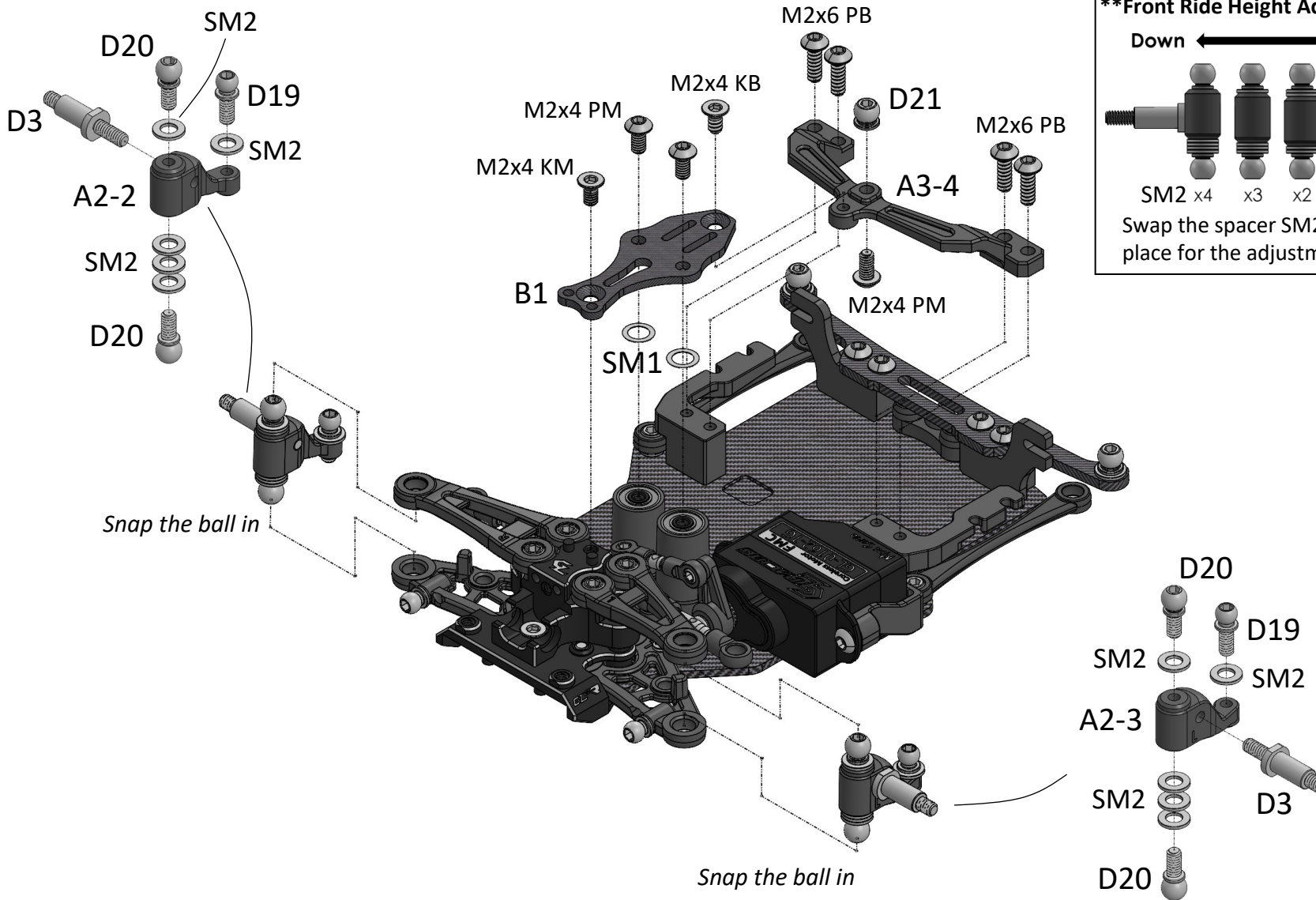
D19 x2
(BS-3045)




M2x4 PM x3

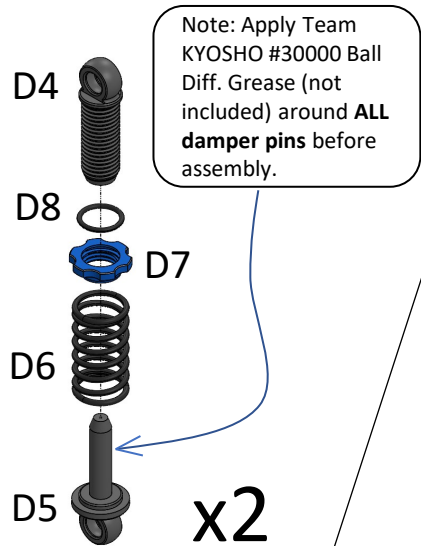
M2x4 KM x1

M2x4 KB x1

M2x6 PB x4



-  M2x4 KM x1
-  D18 x2 (BS-3025)
-  D1 x2 (12mm)



Notice the orientation

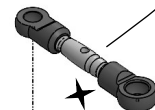
307520



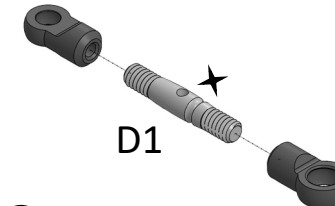
Snap the ball in

Notice the orientation

307520



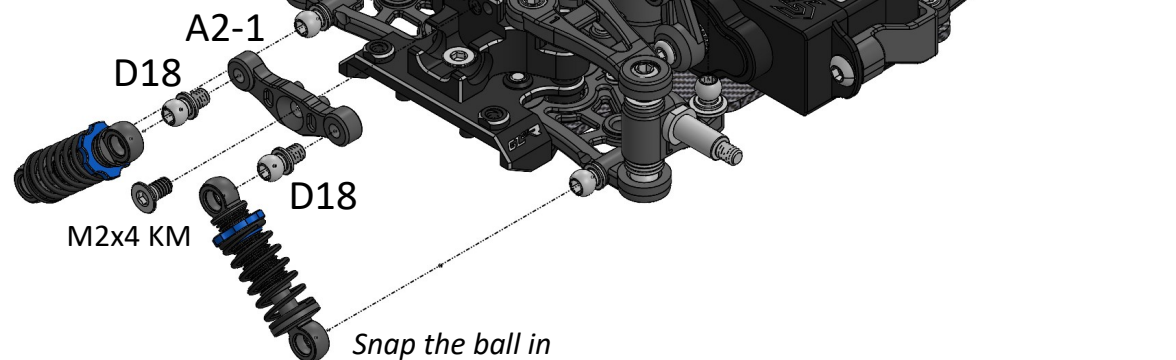
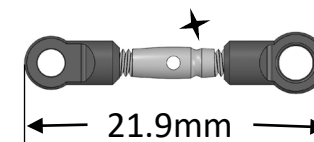
257020 (Counterclockwise)



D1

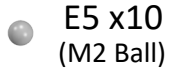
307520 (Clockwise)

x2

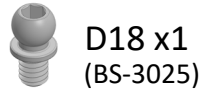




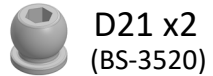
D23 x1
(BE-3625)



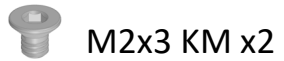
E5 x10
(M2 Ball)



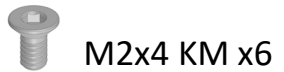
D18 x1
(BS-3025)



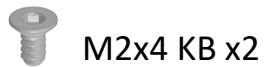
D21 x2
(BS-3520)



M2x3 KM x2



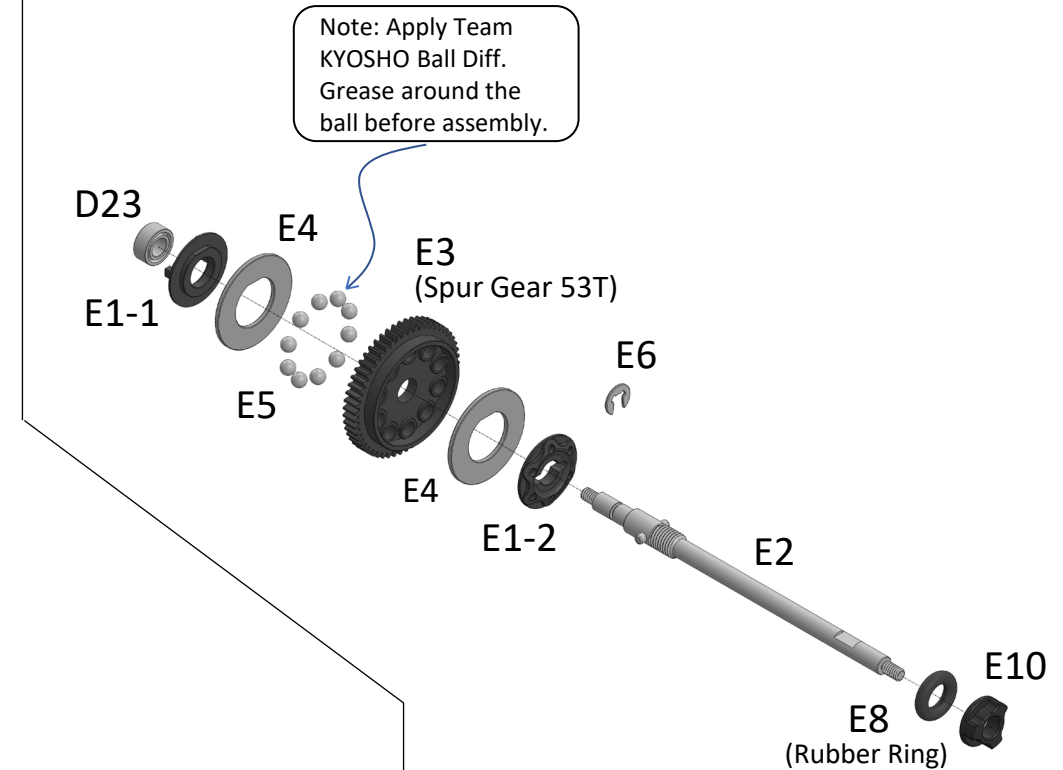
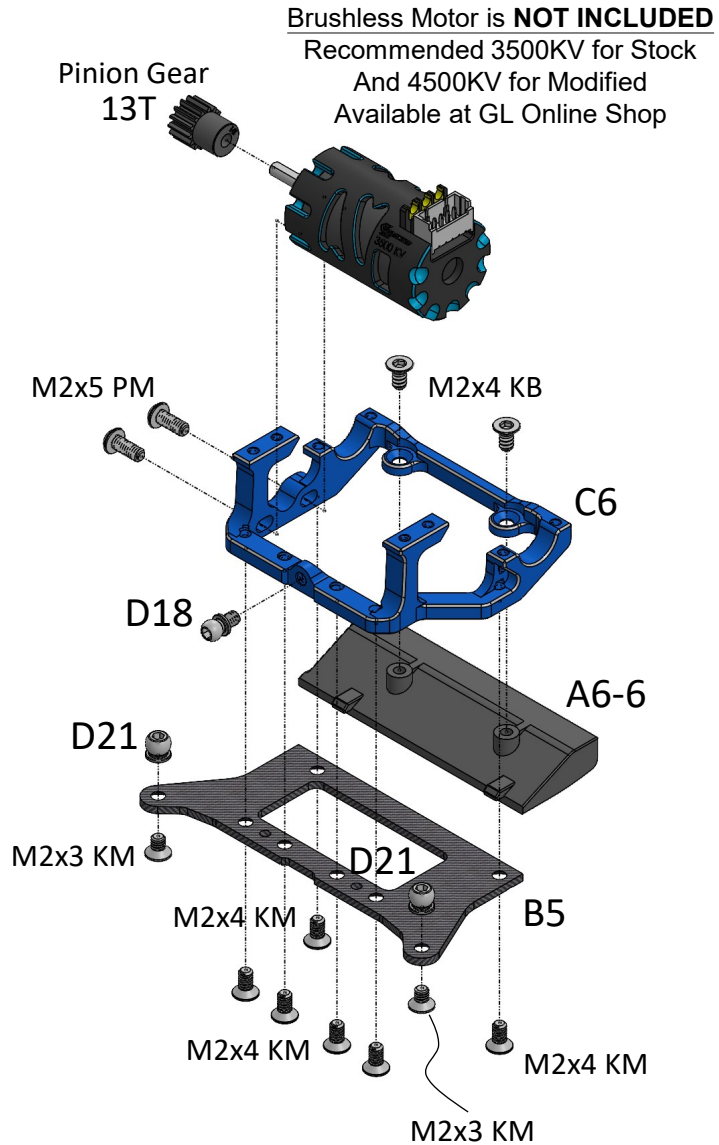
M2x4 KM x6



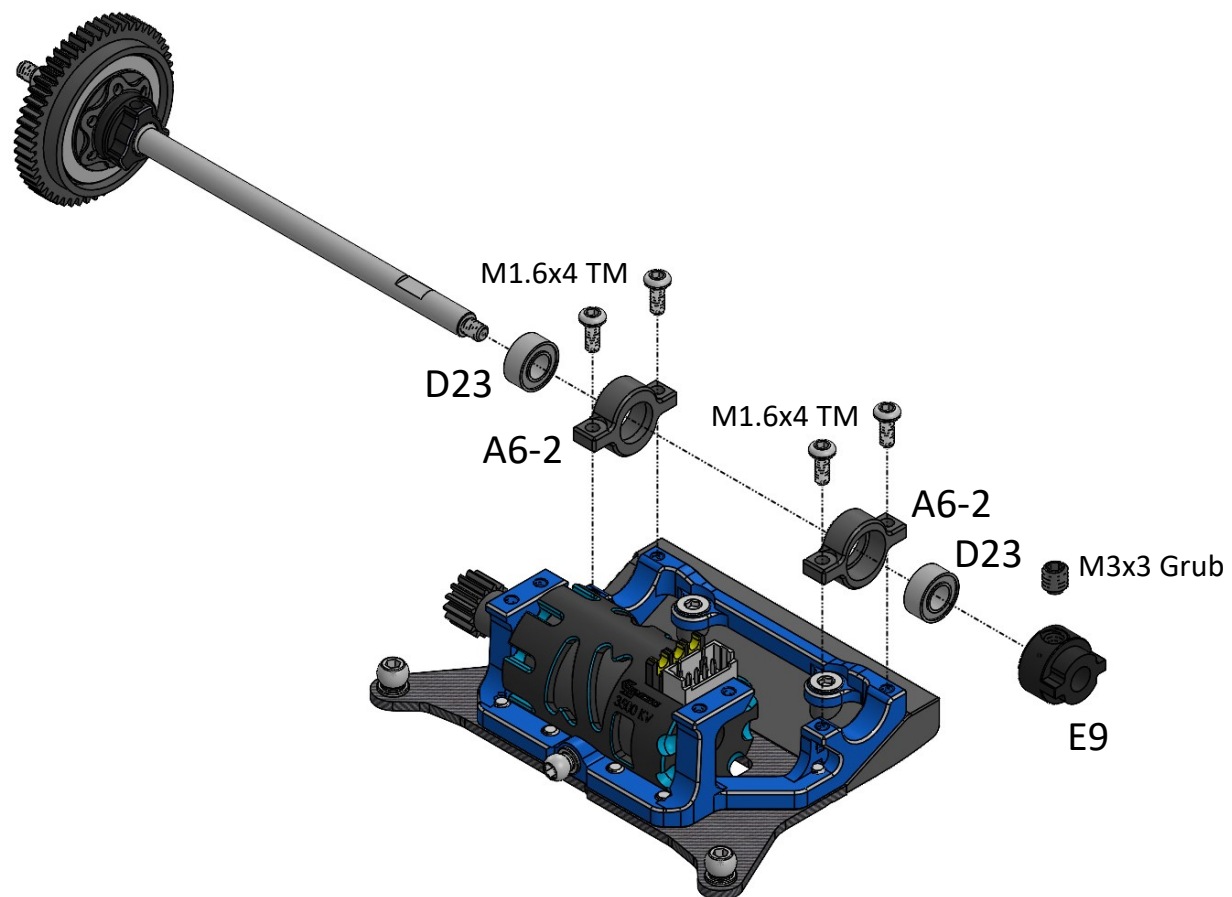
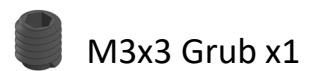
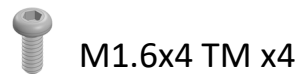
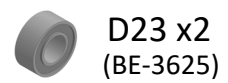
M2x4 KB x2



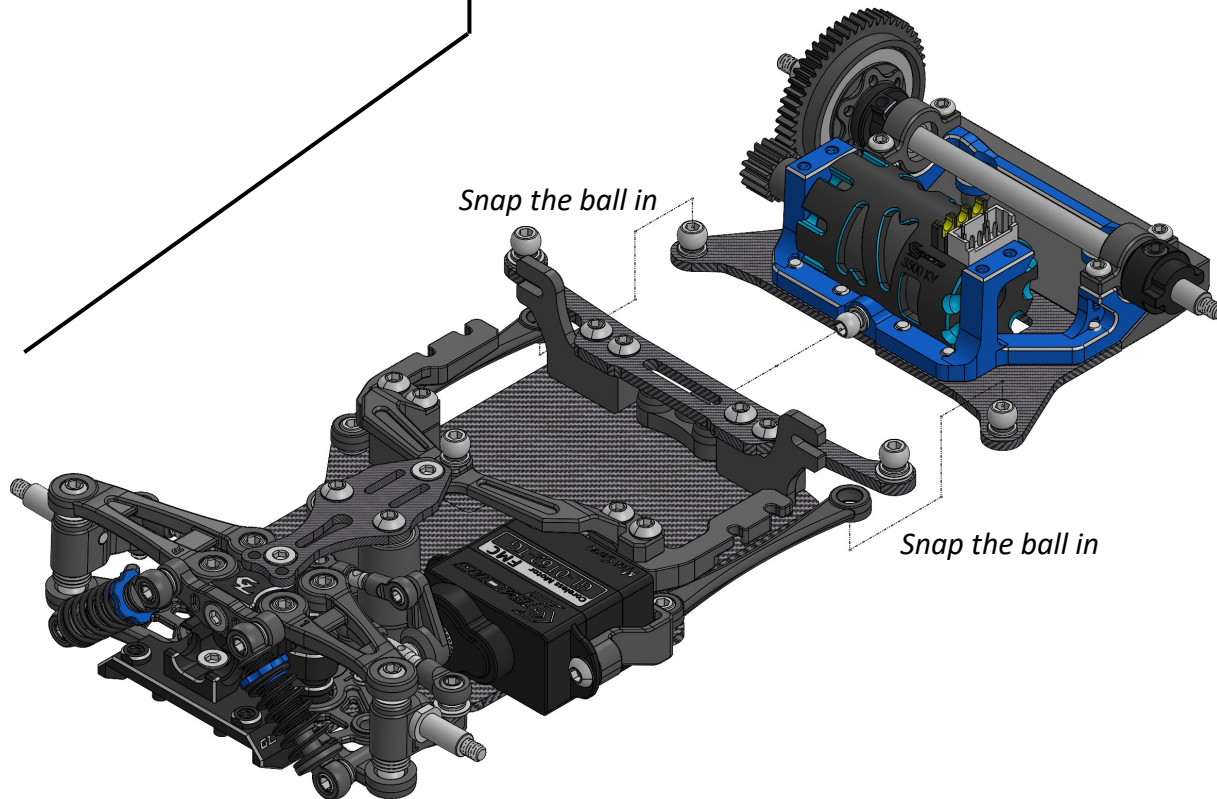
M2x5 PM x2



GL GTR Gear Ratios				
	51	52	53	54
9	5.67	5.78	5.89	6.00
10	5.67	5.20	5.30	5.40
11	4.64	4.73	4.82	4.91
12	4.25	4.33	4.42	4.50
13	3.92	4.00	4.08	4.15
14	3.64	3.71	3.79	3.86

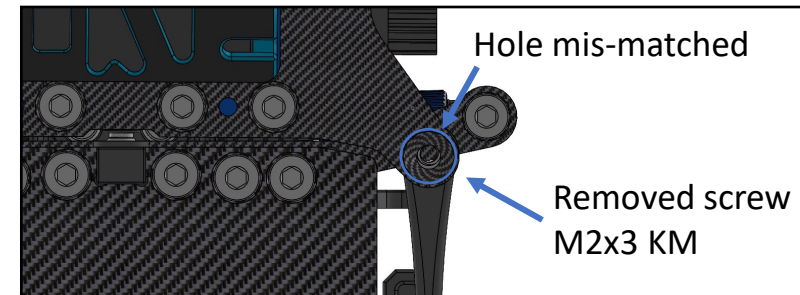


SM3
(2x4x0.1)



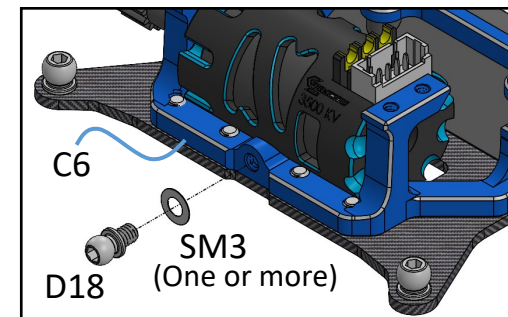
Once 3 ball joints are snapped then check the rear part are moving freely. If not, follow the below step to fix it.

1. Keeping 3 joints are snapped. Remove either M2x3 KM screw (see Pic1). You may see the screw hole (D21) is mis-matched with B5.



Pic1

2, In this case, apply SM3 (2x4x0.1) in between of D18 and C6 (see Pic2). Until you see the screw hole (D21) in centered with B5.

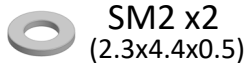


Pic2

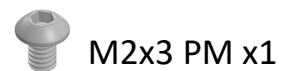
3, Reinstalled the screw M2x3 then check again rear part that can be moving freely now. If not, go back to step 1.



D21 x3
(BS-3520)



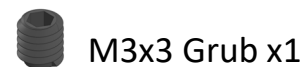
SM2 x2
(2.3x4.4x0.5)



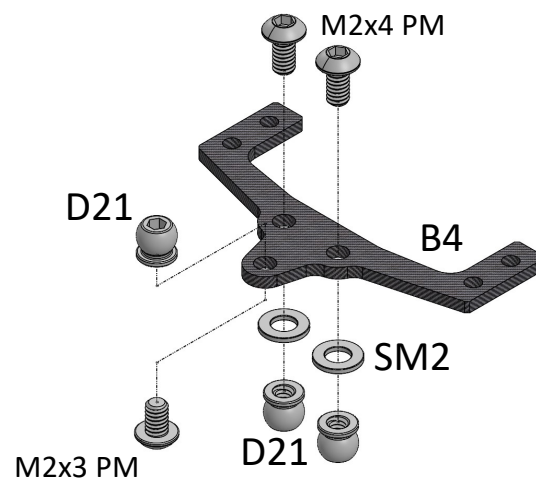
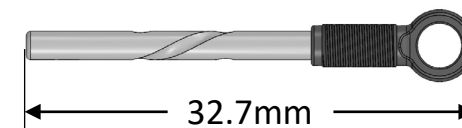
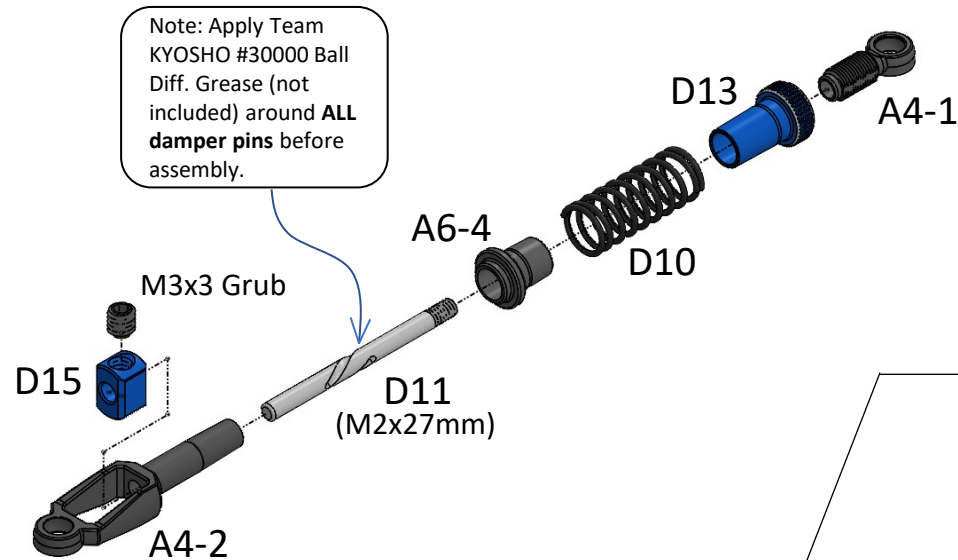
M2x3 PM x1



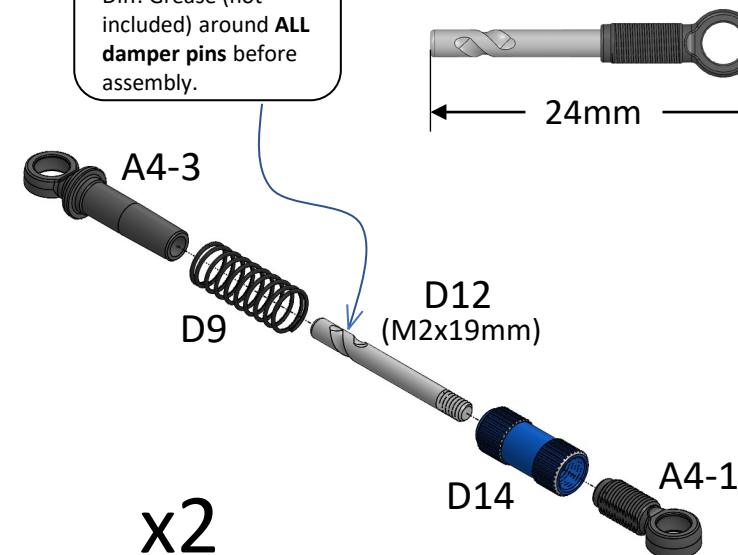
M2x4 PM x2



M3x3 Grub x1

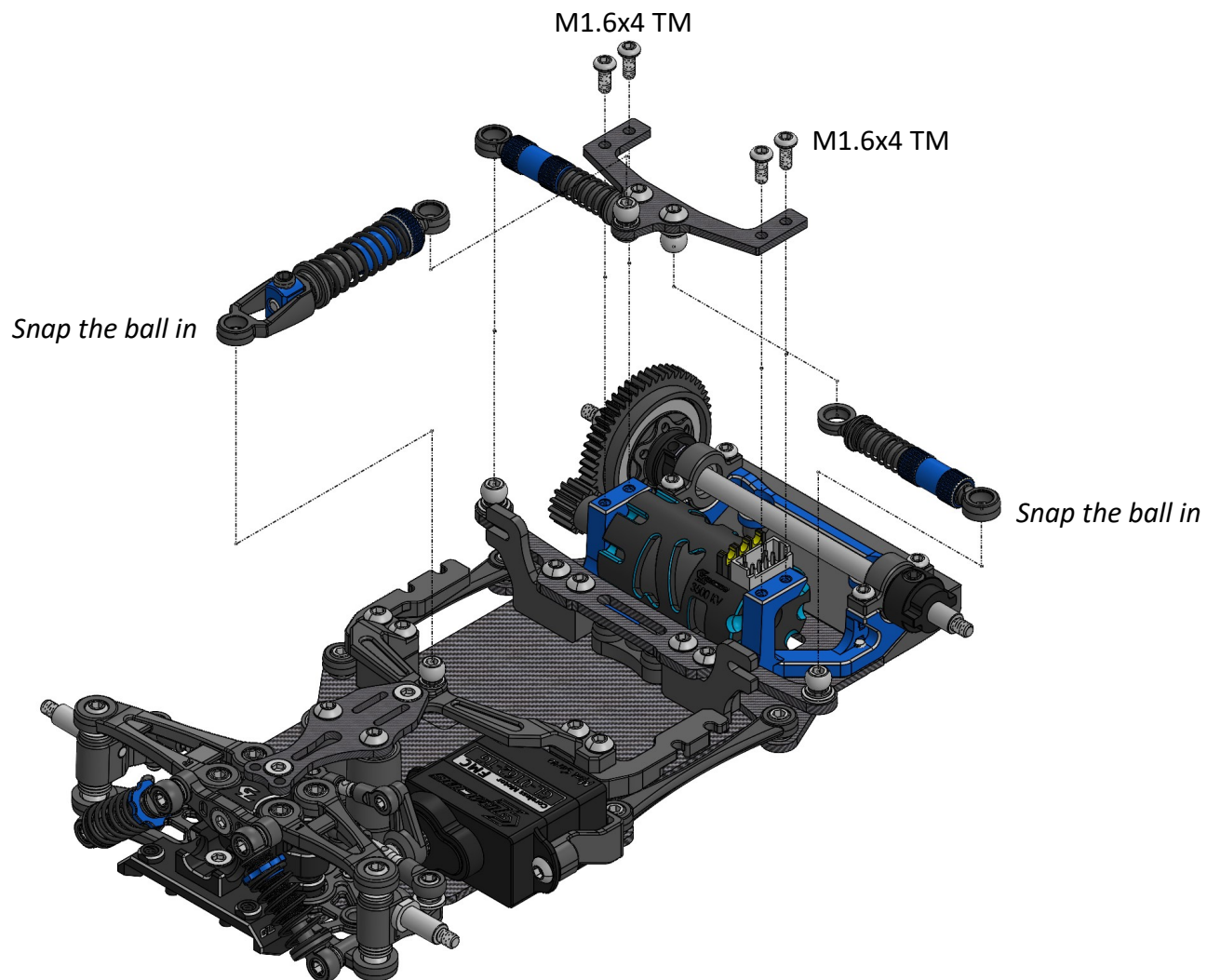


Note: Apply Team KYOSHO #15000 Ball Diff. Grease (not included) around **ALL damper pins** before assembly.

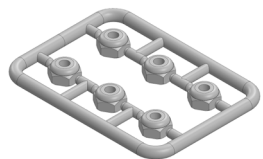




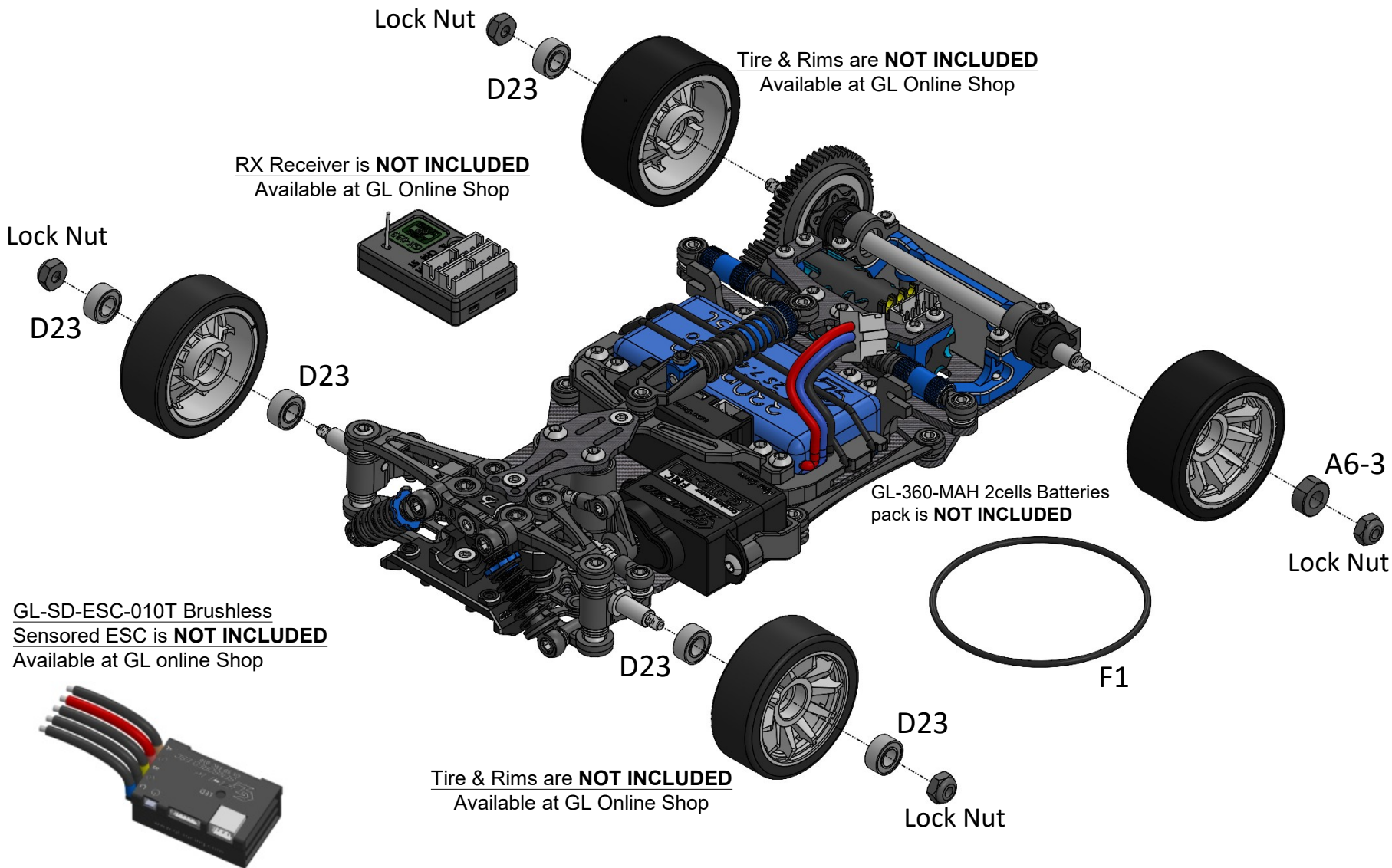
M1.6x4 TM x4



D23 x5
(BE-3625)



Lock Nut x1

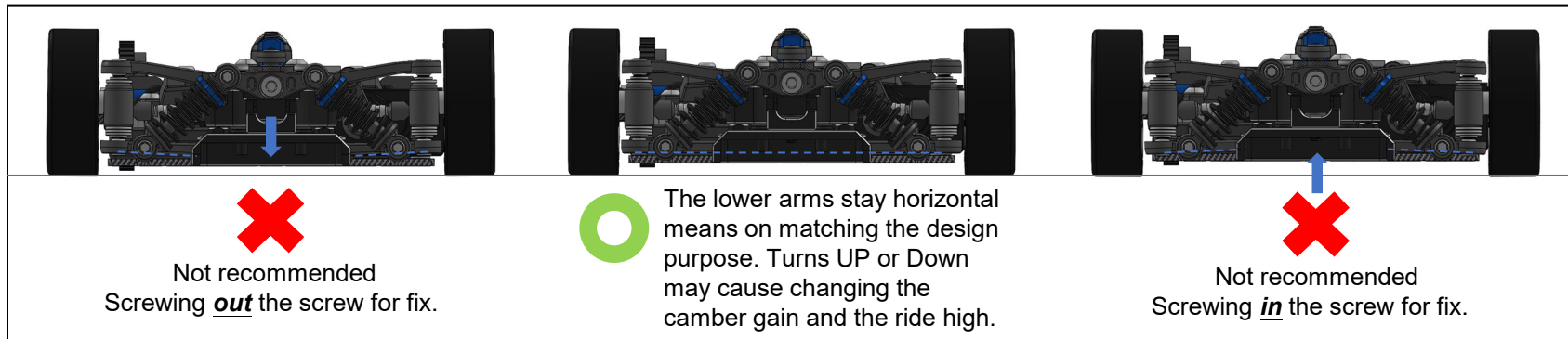


GL GTR basic setup/assembly tips on RCP Track



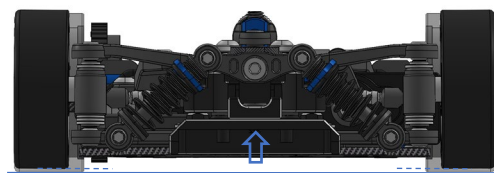
- 1, Check all the ball joints to make sure they are moving freely especially after motor and its sensor wire are installed.
- 2, Check the Rear-Subframe to make sure it is moving freely. If it is not, please refer to P-13 to adjust it again.
- 3, Applying grease on ball differential (P-11) and Shocks (P-14). Don't put too much grease on them and more frequent maintenance is recommended.
- 4, Suggest to use superglue to fix the tire onto the rim.
- 5, Adjust the small screw of the front lower suspension arms to make sure left and right arms are at horizontal position with the floor as indicated in Pic 5.1.

Pic 5.1



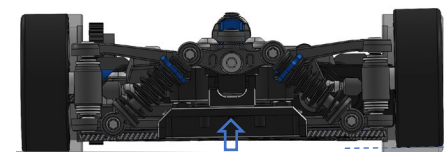
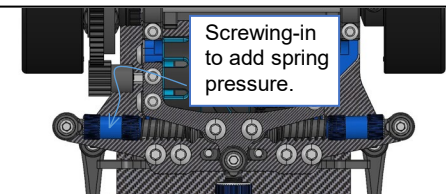
- 6, Check the chassis left / right balance by lifting the front chassis as indicated in Pic 6.1 and adjust the side damper spring pressure accordingly as indicated in Pic 6.2.

6.1 Left and right front wheel untouch the floor at the same time when lifting the chassis.



Lift it up

6.2 If the left front wheel untouches the floor first, increase the Left side damper spring pressure (P-14) and versa for the right side.



Lift it up

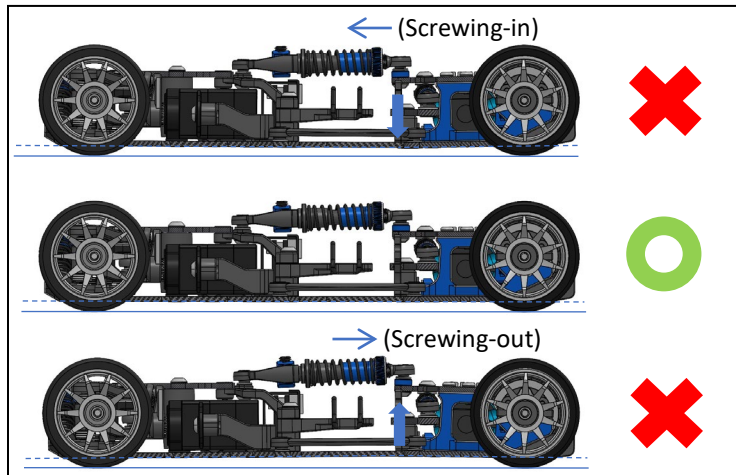
GL GTR basic setup/assembly tips on RCP Track

Tips: If the car is new or just re-built, suggest to do point 6 first then to plug sensor and soldering motor wire. It will effect the result if the length of all wires are not suitable. It means that if you did nothing wrong, you will have the same result after all wires installed.

7, Preload the side damper springs can help to increase the stability of the car.

8, Adjust the center damper spring as indicated to make sure the chassis is at horizontal position with the floor as indicated in Pic 8.1.

Pic 8.1



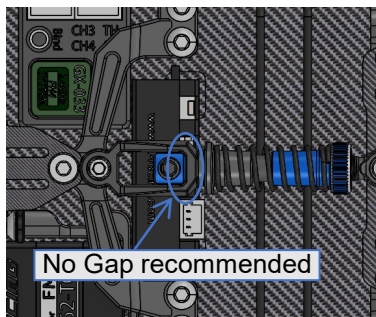
Waist Down
If the situation is on the left, screwing-in (add pressure) the D13 (see page 14) until the chassis Front and Rear going straight.

If the situation is on the left, congratulations!!! Go ahead for the race.

Waist up
If the situation is on the left, screwing-out (depress) the D13 (see page 14) until the chassis Front and Rear down to straight.

9, NO DROOP is recommended as indicated in Pic 9.1.

Pic 9.1

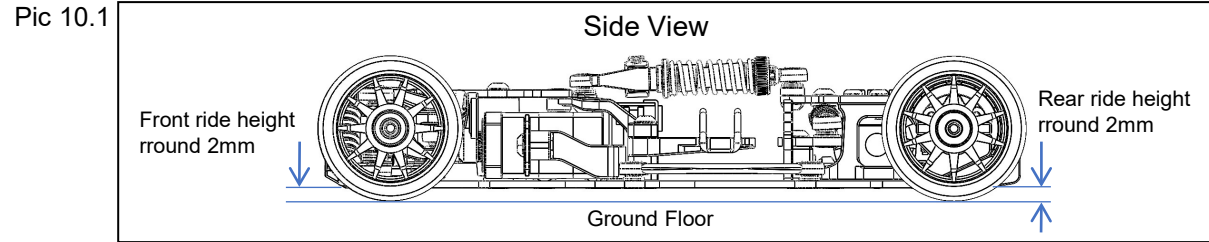


Adjust the D15 (page 14) with NO gap but need to keep the point 8 Front and Rear chassis in straight. This Gap = Droop for having unstable in all the time running on the high traction RCP track.

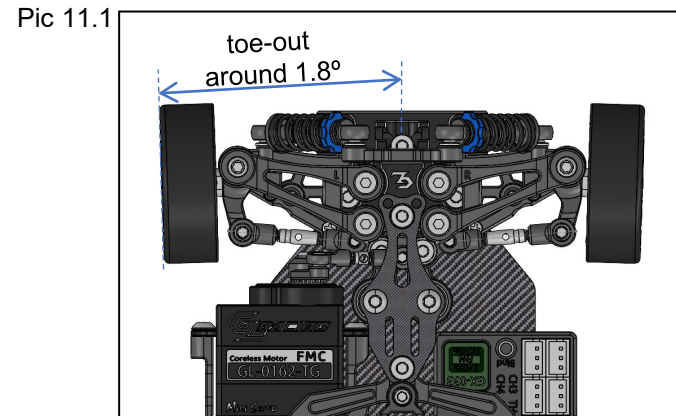
GL GTR basic setup/assembly tips on RCP Track



10, Adjust the ride height as indicated in Pic 10.1 around 2mm is recommended.



11, Adjust the length of Steering Rods (P-10) to somewhere in between 21.9mm & 22.2mm as indicated in Pic 11.1. Toe-in position is recommended for more stable in cornering and running straight.



Steering Rod length

21.9mm is around toe-out 1.8° per side (for beginner)

22.2mm is around toe-out 1.5° per side (for expert)

12, For beginner: Motor 2500KV, Front Tire GT0001-S19/GT0001-S20, Rear Tire MZR-V1R05/MZR-V1R10.

13, For stock: Motor 3500KV, Front Tire GT0001-S18.5/GT0001-S19. Rear Tire MZR-V1R05/MZR-V1R10.

14, For modified: Motor 4500KV or above, Front Tire GT0001-S18/GT0001-S18.5, Rear Tire MZR-V1R05/MZR-V1R10.

15, After installed the body (Auto Scale or Lexan), check again of all the moving parts are not touching / jamming during travelling.

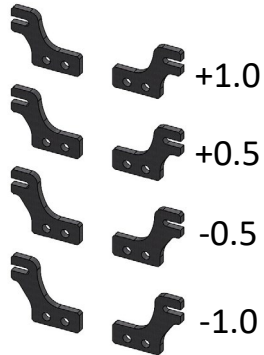
GLR-GT Options



GL GTR Anti Roll Bar
GL-GTR-OP-006



GL GTR Adjustable
Carbon Side Mount
GL-GTR-OP-017



GL GTR Front Shock Tower
GL-GTR-OP-007



GL GTR Servo Saver
GL-GTR-OP-004



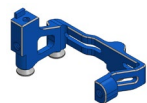
GL GTR Metal Piston Rod
GL-GTR-OP-005



GL GTR Sensor Case
GL-GTR-OP-019



GL-GTR-OP-008
GL GTR Alu. Servo Mount (0162)



GL GTR Steering Hub
GL-GTR-OP-009-0



GL-GTR-OP-009-1
1°



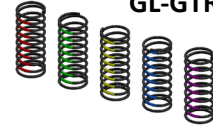
GL-GTR-OP-009-2
2°



GL GTR Battery Mount
GL-GTR-OP-014



GL GTR Option Side Spring
GL-GTR-OP-002



GL GTR Carbon Side Damper
Mount with stand post
GL-GTR-OP-012



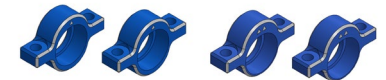
GL GTR Brass Chassis
GL-GTR-OP-010



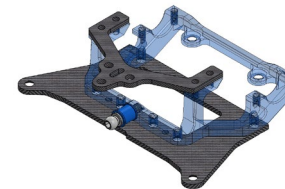
GL GTR Rear Shell Post Mount
GL-GTR-OP-016



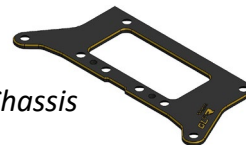
GL GTR Rear Ride Height Mount
GL-GTR-OP-015



GL GTR 102mm conversion kit
GL-GTR-OP-018



GL-GTR-OP-011
GL GTR Brass Chassis
(Rear 98mm)



GL-GTR-OP-013
GL GTR Brass Chassis
(Rear 102mm)

